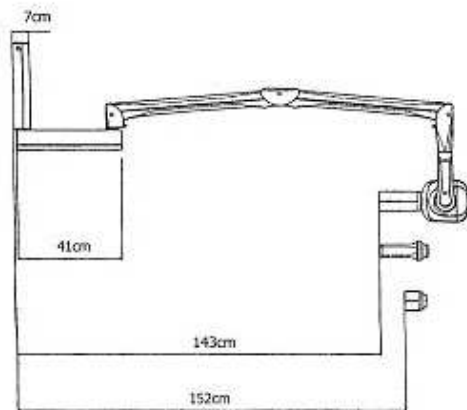


3. OVERALL DIMENSIONS

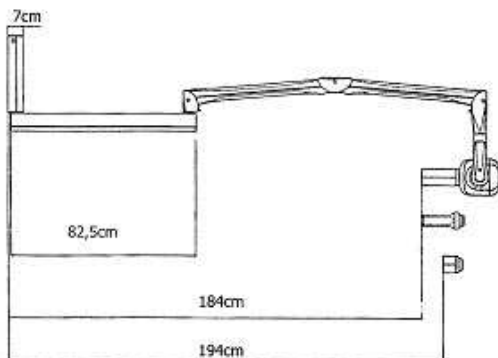
Fig. 1A, 1B, 1C give the overall dimensions of the possible supply conditions:

- ☉ SHORT BRACKET (optional) length 41 cm - 16.2"
- ☉ STANDARD BRACKET length 82,5 cm - 32.5"
- ☉ LONG BRACKET (optional) length 110 cm - 43.5"



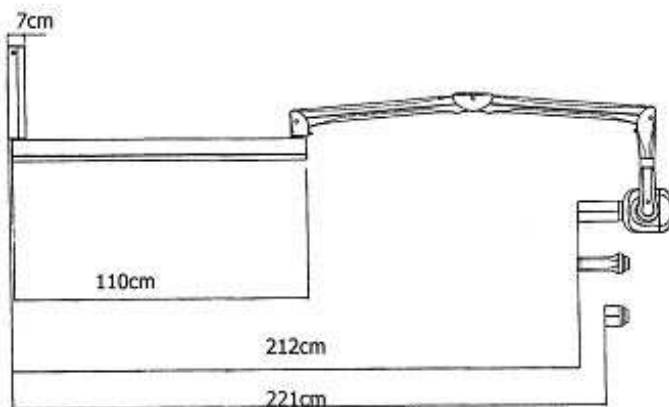
SHORT BRACKET 41 cm

Fig. 1A



STANDARD BRACKET 82.5 cm

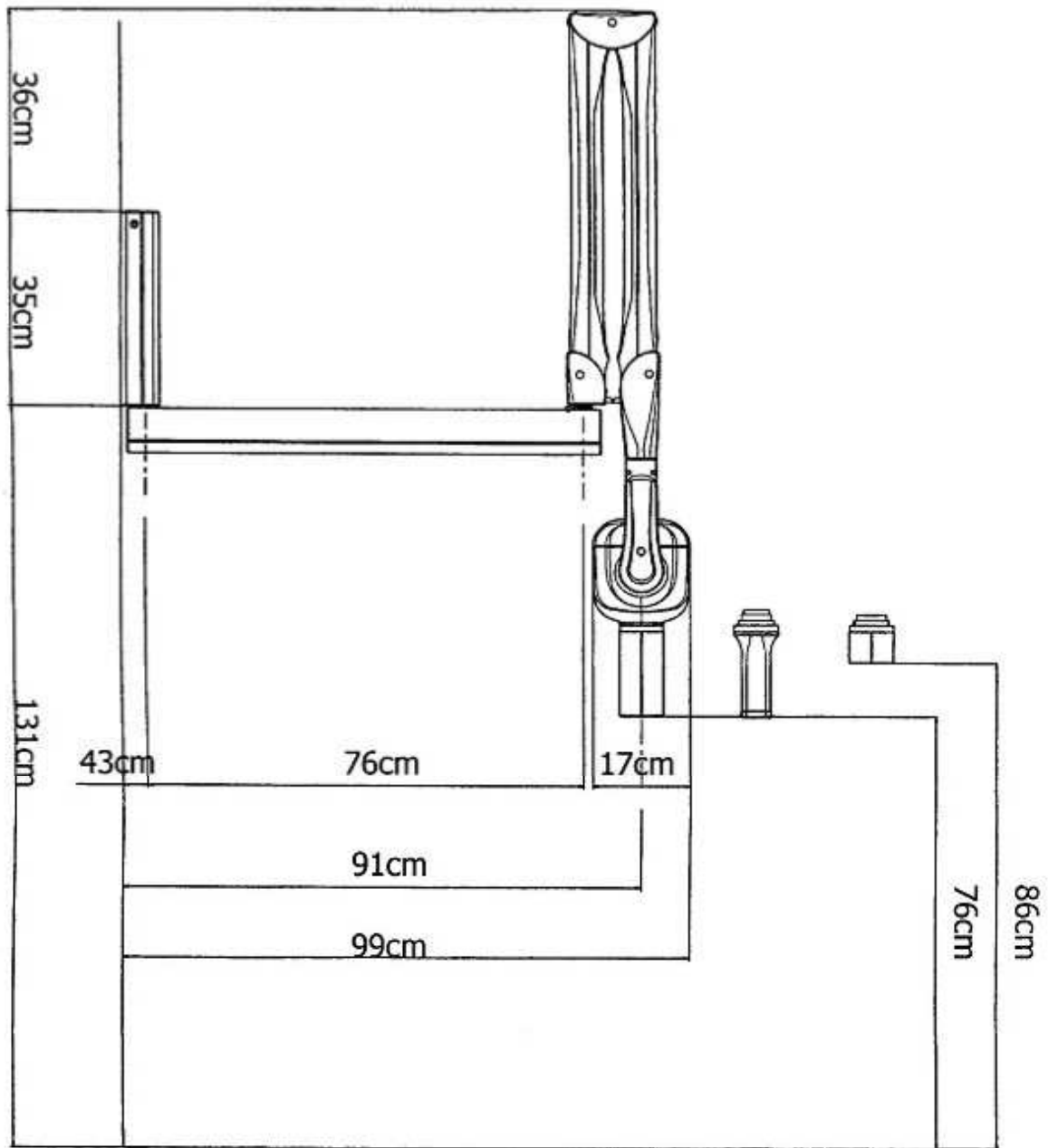
Fig. 1B



LONG BRACKET 110 cm

Fig. 1C

Fig. 2, 3A, 3B, 3C e 4 show the typical dimensions of the X-ray system:



STANDARD BRACKET 82.5 cm

Fig. 2

STANDARD BRACKET 82.5 cm

Fig. 3A

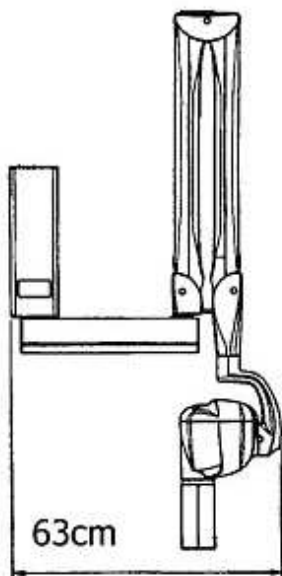
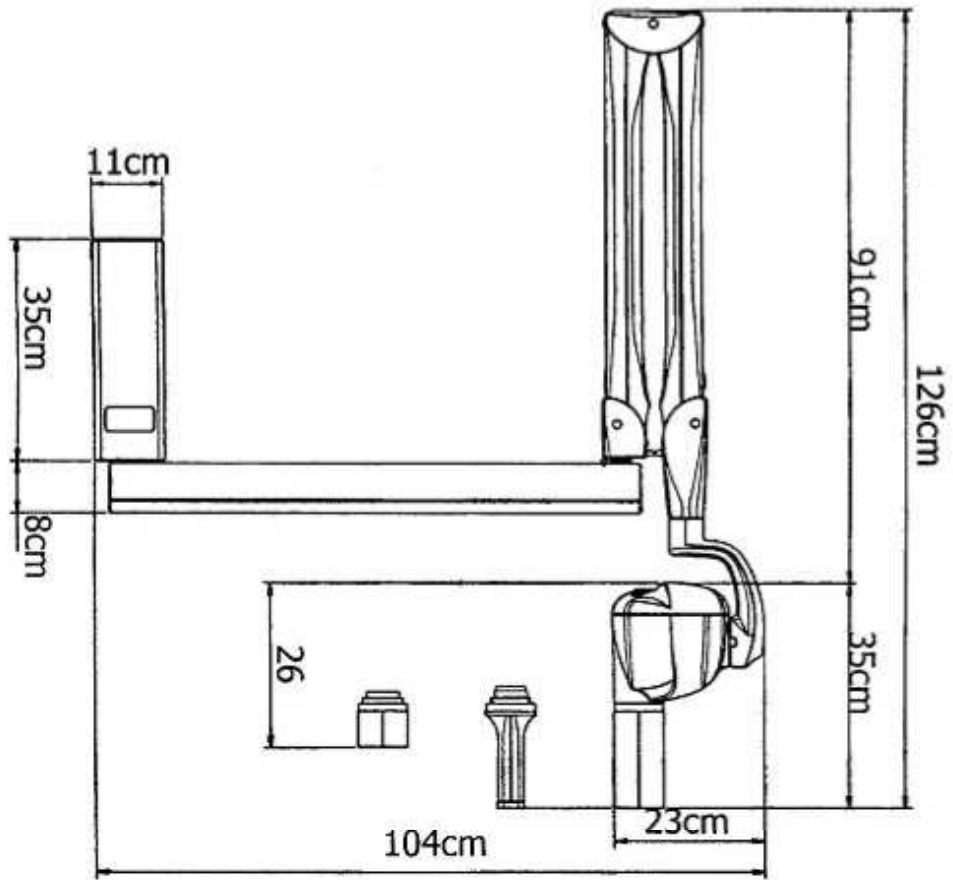


Fig. 3B
SHORT BRACKET 41 cm

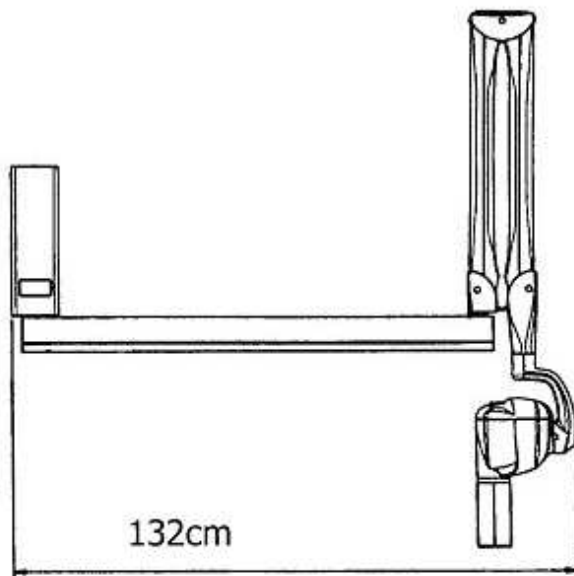


Fig. 3C
LONG BRACKET 110 cm

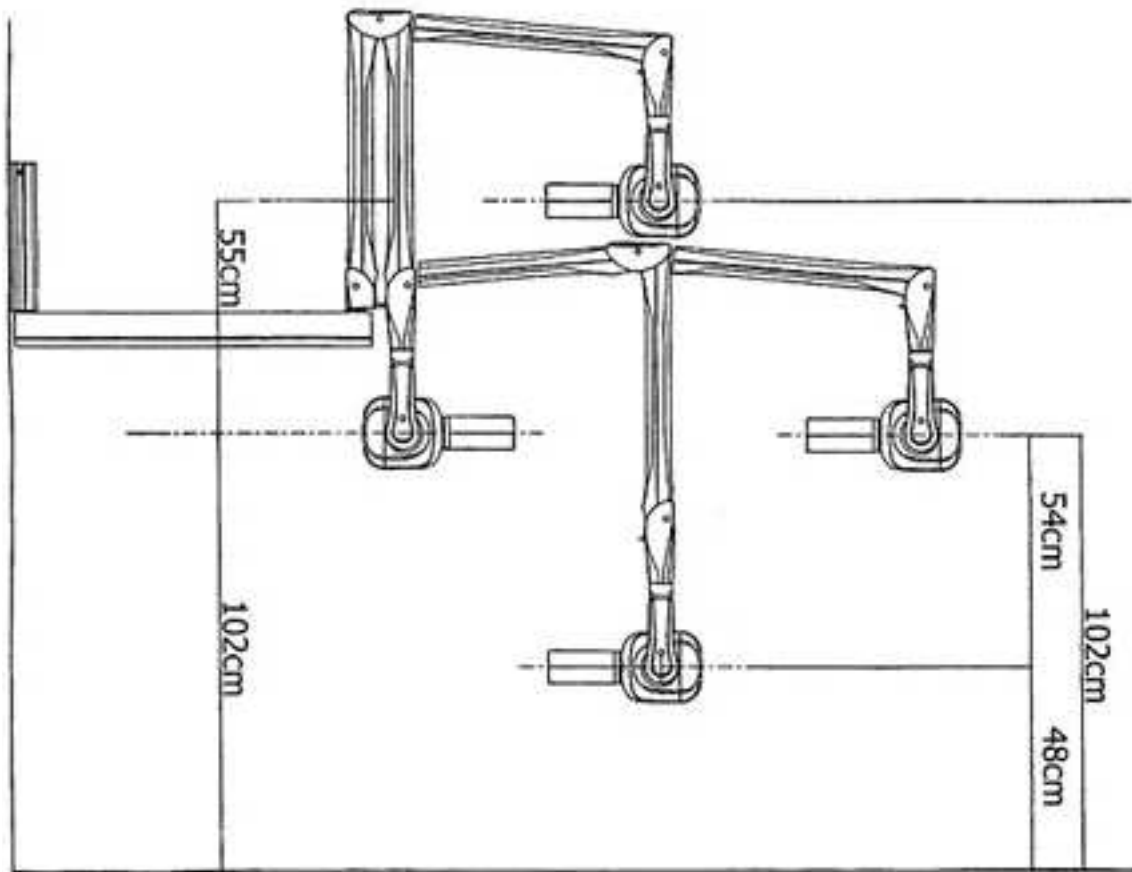


Fig. 4